

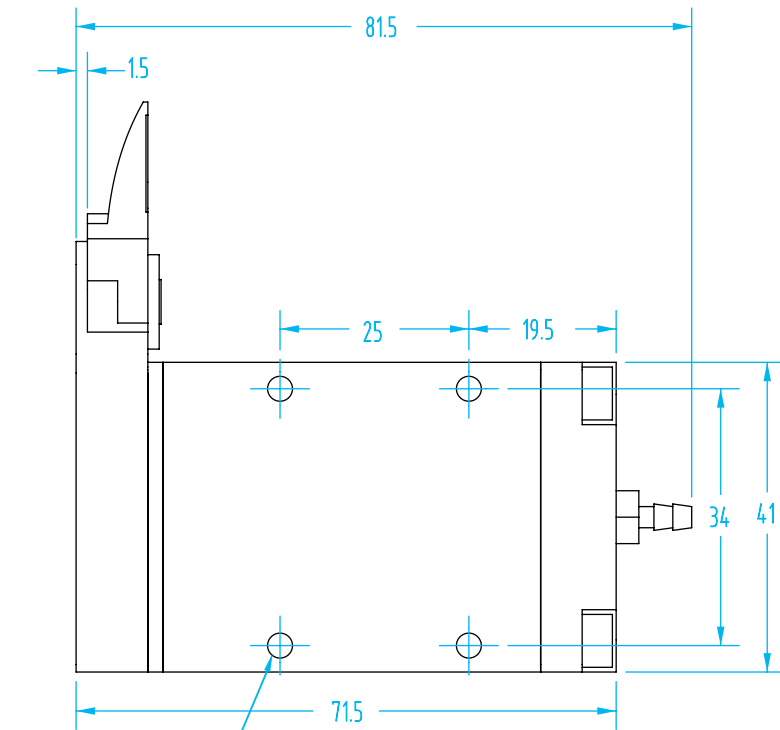
NF15 – Stationary Nipper

(Dimensioned drawings shown full scale)

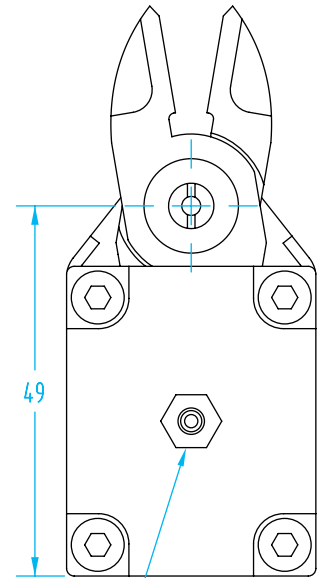


NF15 - Stationary Nipper

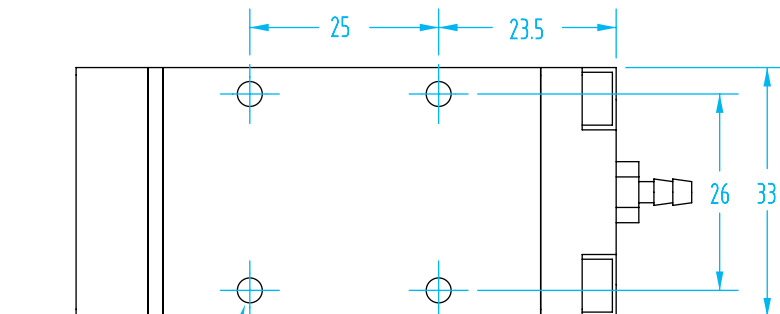
Quick#	Part#	Price	Reference Model	Weight	Air Cons. Cm ³ /stke	Supply Press.	Max. Cutting Cap. Ø (mm)	
							Soft Plastic	Hard Plastic
623	GSN-NF15	\$269.00	GT-NF15	219g	128	58-73psi	4.0	2.6



(x4) M4 MOUNTING HOLES



Ø4mm BARBED FITTING
M5 TAPPED HOLE



(x4) M4 MOUNTING HOLES

Order Blades Separately
See page 934-935.